

# RL5426

STAINLESS STEEL  
COMPRESSION CANISTER



**RICE LAKE**  
WEIGHING SYSTEMS

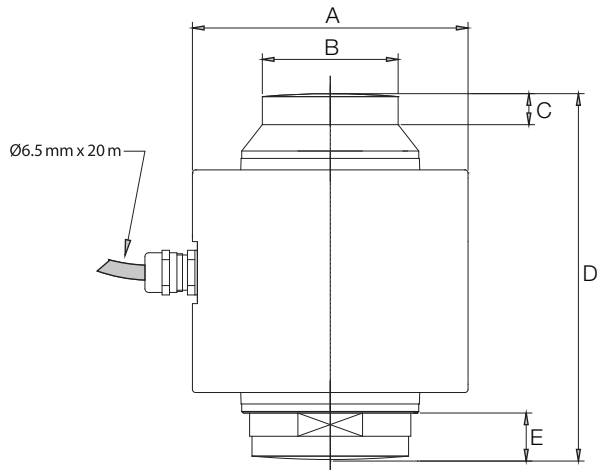
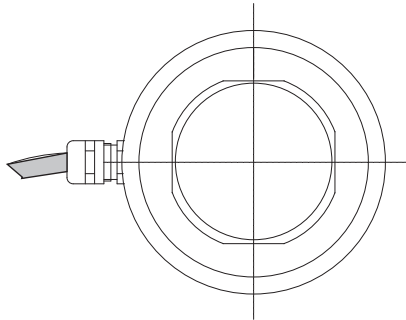
Model:	RL5426
Emax:	50 t
Output:	2.0 mV/V
SN:	21697/01.15
Class:	C4
Certificate:	TC8871

**RICE LAKE**<sup>®</sup>  
WEIGHING SYSTEMS

[www.ricelake.com](http://www.ricelake.com)

# RL5426

STAINLESS STEEL  
COMPRESSION CANISTER



## Dimensions

NOMINAL CAPACITY	A	B	C	D	E
mm					
10-50 t	ø89	ø43,8	10	118,5	15,5

## Order Information

LOAD RATING	PART NUMBER
10 t	169795
15 t	169796
20 t	169797
25 t	169798
30 t	169799
35 t	169800
40 t	169801
50 t	169802

## Standard Applications

- Truck Scales
- Railroad track scales
- Heavy capacity tanks and hoppers

## Standard Features

- 10 to 50 ton
- Stainless steel construction
- IP69k seal type
- Built-in lightning protection
- Built-in gas charged transient protection

## Specifications

### Full Scale Output:

2 mV/V

### Output Resistance:

700 ohms ± 3

### Input Resistance:

800 ohms ± 3

### Material/Finish:

Stainless steel

### Compensated Temperature:

-10° C to 40° C

### Operating Temperature:

-10° C to 70° C

### Seal Type:

Hermetically sealed, IP69K

### Rated Excitation:

15V

### Insulation Resistance:

5000 Megohms

### Cable Length:

20 m

### Cable Construction:

PVC

### Cable Color Code:

Red .....+ Excitation  
 Black.....- Excitation  
 Green.....+ Signal  
 White .....- Signal  
 Yellow .....+ Sense  
 Blue .....- Sense

## Warranty

- Two-year limited warranty

## Approvals



R60 Class C4, C5 and C6 available

Your Rice Lake Weighing Systems distributor is:

**RICE LAKE**  
WEIGHING SYSTEMS

Rice Lake Weighing Systems Europe B.V.  
 PO Box 58 NL-6666 ZH • Weiland 11 • NL-6666 MH Heteren • The Netherlands  
 TEL: +31 (0)26 472 1319 • FAX: +31 (0) 88 234 9100 • [www.ricelake.com](http://www.ricelake.com)

An ISO 9001 registered company © 2017 Rice Lake Weighing Systems PN 181058 2/17  
 Specifications subject to change without notice.